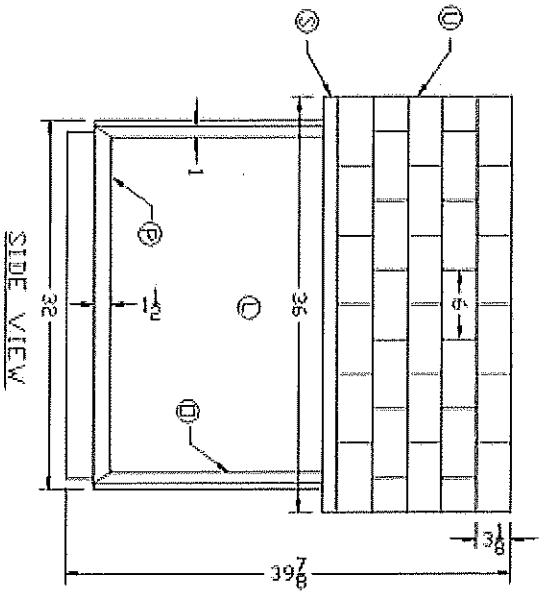
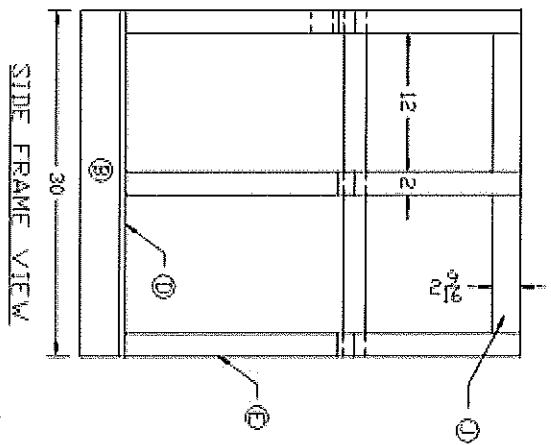
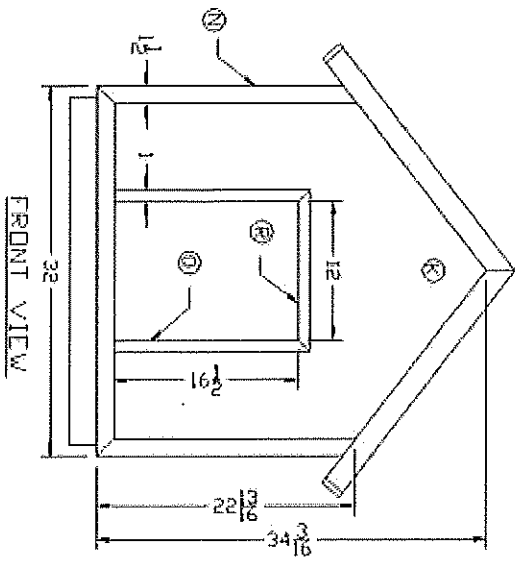
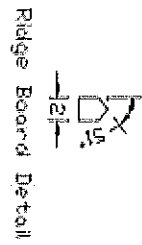
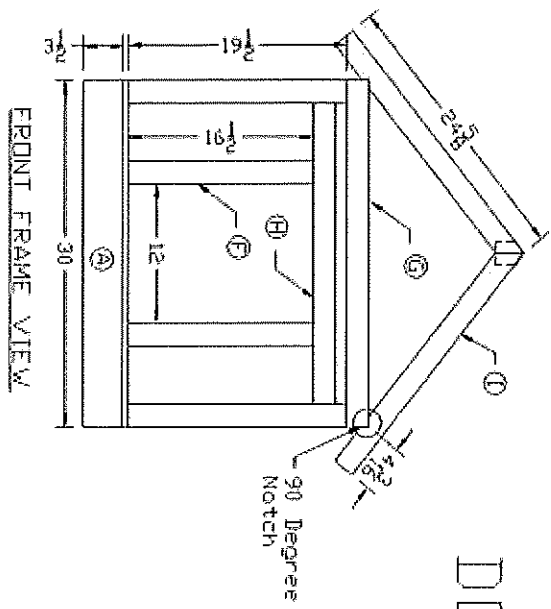
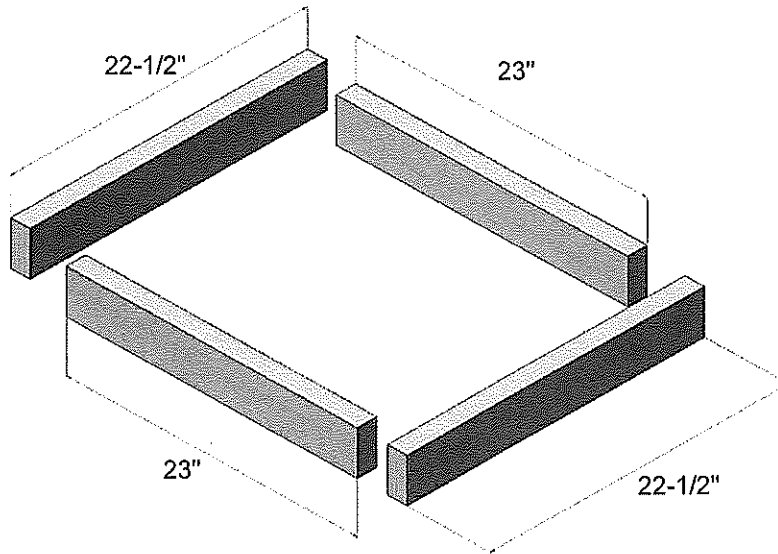


DOG HOUSE

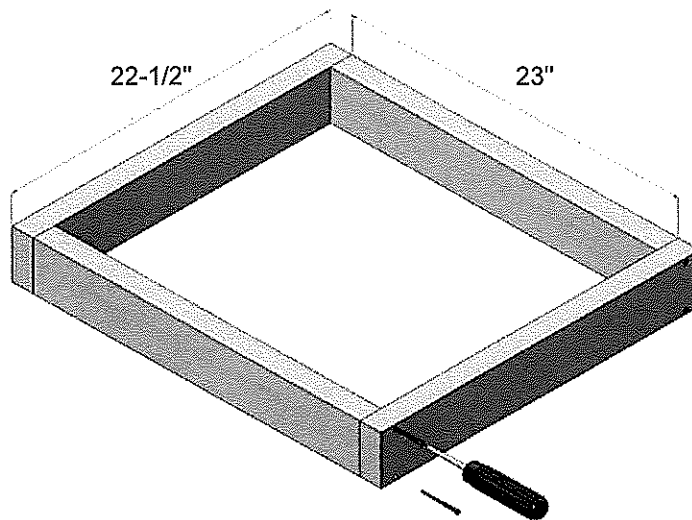


Constructing the Base

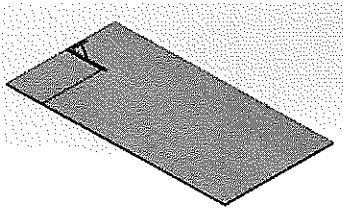
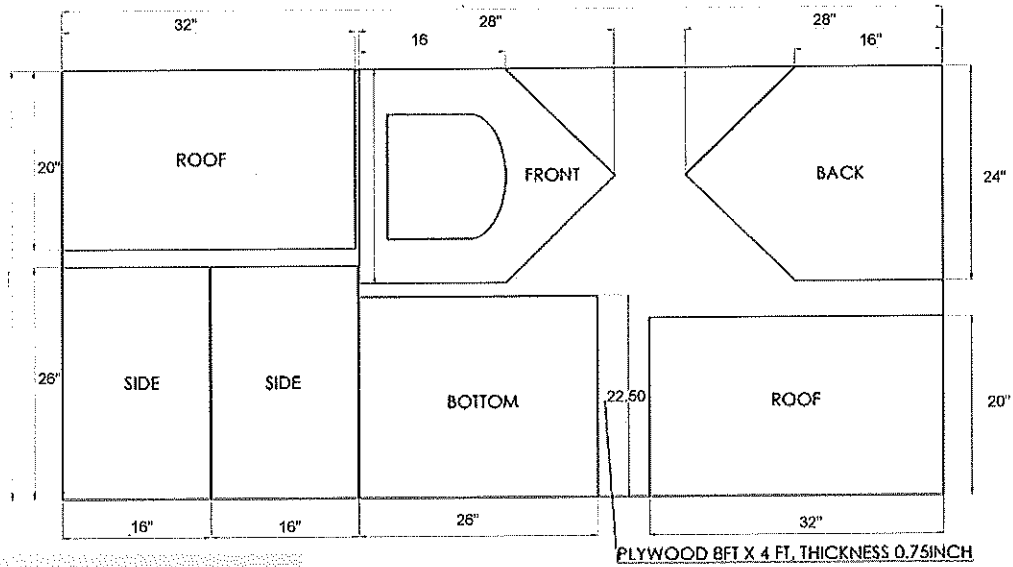
- ❑ Cut 2x4 wood boards into four pieces, with two at 22-1/2" long and two at 23" long
- ❑ Place the 23" side pieces inside the 22-1/2" front and back pieces to create a rectangle with the 2" side resting on the ground



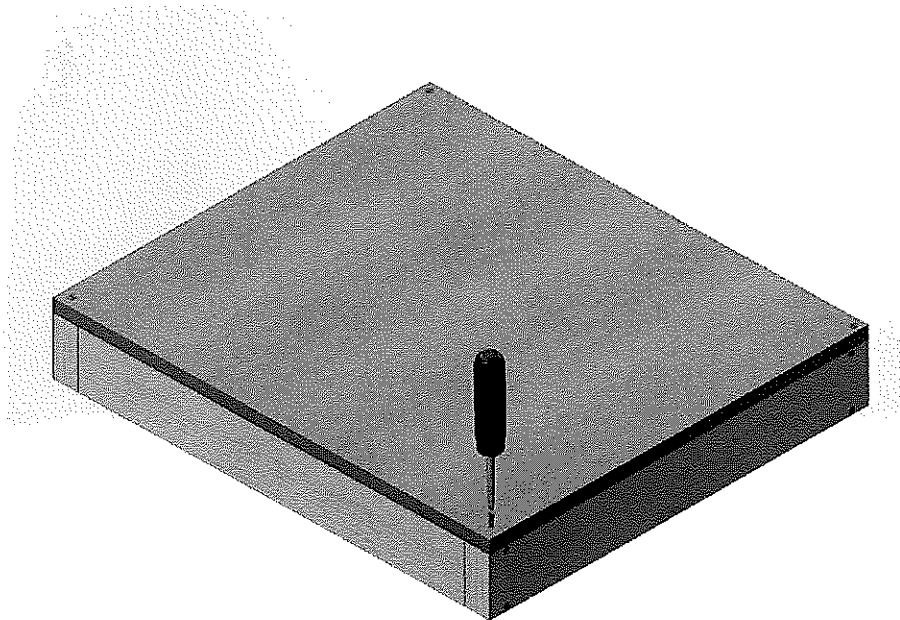
- ❑ Attach the base pieces together using 3" galvanized wood screws in each end



- ❑ Transfer the floor plans by using a pencil and a framing square to a single sheet of 3/4 Plywood.

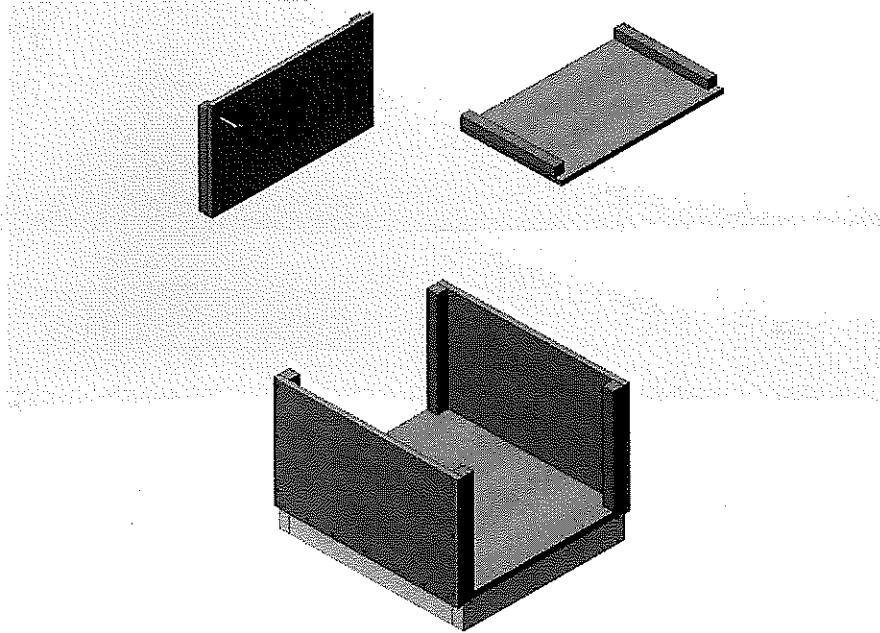


- ❑ Using 1-1/4" galvanized wood screws, attached the floor panel to the base by drilling one screw into each corner of the base

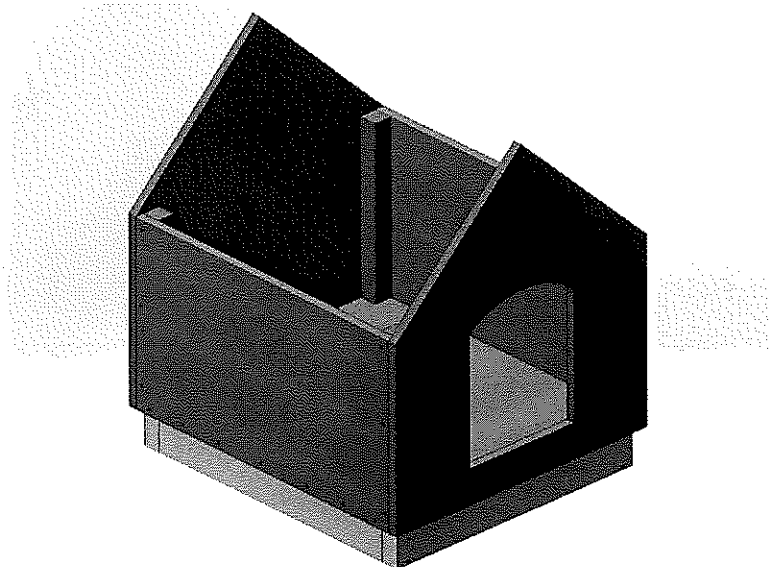


Putting Up Walls

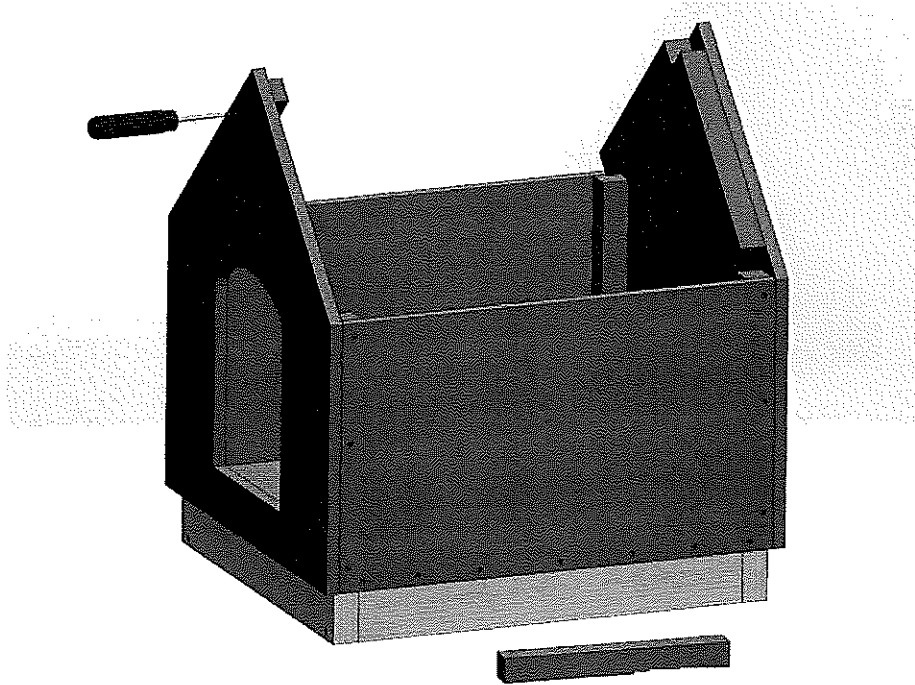
- ❑ Cut out 8 pieces of framing. Using a piece of 2x2 fir, cut out eight pieces to use as framing to secure the walls and roof. You will need four corner framing pieces 15" long and four roof framing pieces 13" long
- ❑ Fasten one 15" corner framing piece to each edge of the side frames using three 1-1/4" galvanized wood screws every 4-5 inches around the perimeter



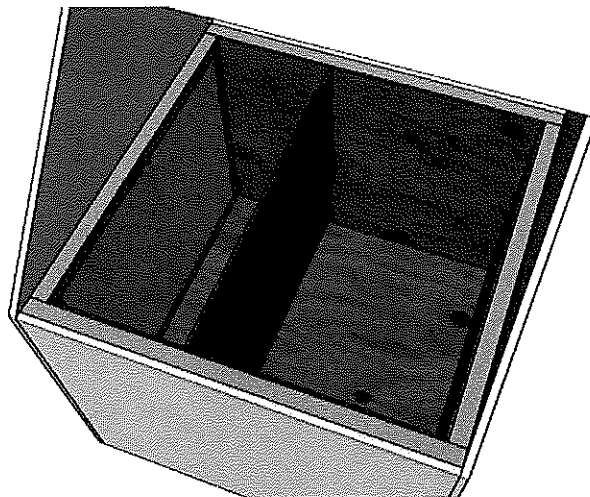
- ❑ Attach the front and back panels. Place the front and back panels on the floor base and attach to the framing with galvanized wood screws every 4-5 inches around the perimeter



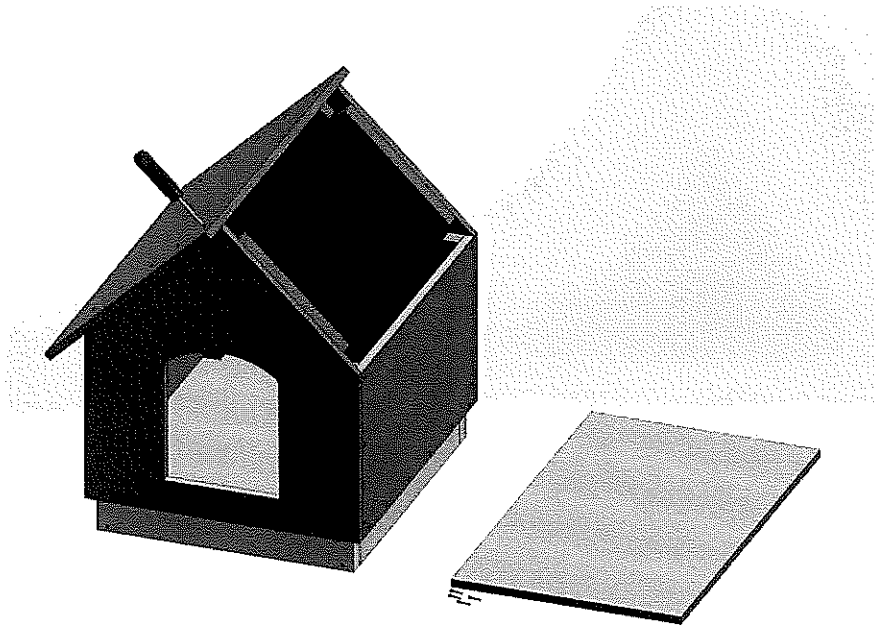
- Attach the 13" 2x2 roof framing piece to the inside edges of the front and back panels halfway between the top and bottom of the angled side of each panel. Screw three 1-1/4" galvanized wood screws into each panel



- Install rigid foam insulation in the wall cavities. Use 1-1/2" thick foam, cut these to fit and then cover them with 1/4" plywood. Add 2x2 framing if required to attach plywood.



- Place the roof panels on top of the sides, making sure that the peak is tight and panels hang over each side. Secure the roof panels to the framing pieces using 1-1/4" galvanized wood screws at 3" intervals



- To keep the dog house dry, you can cover the entire roof with tar paper fastened with staples. Once you've covered the roof, you can then add shingles.

